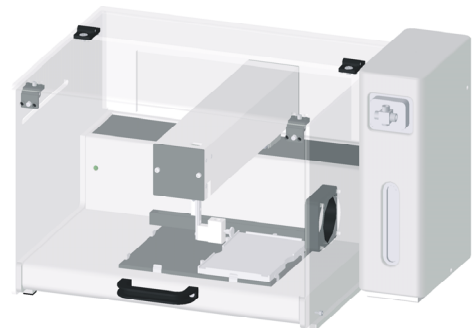
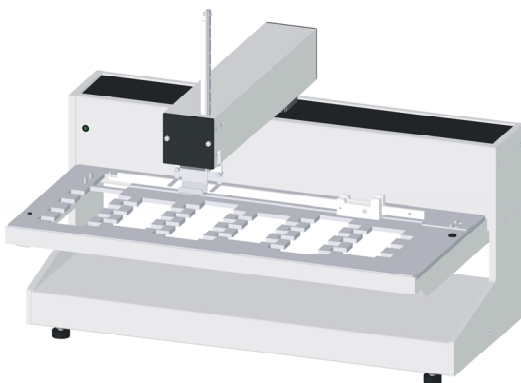
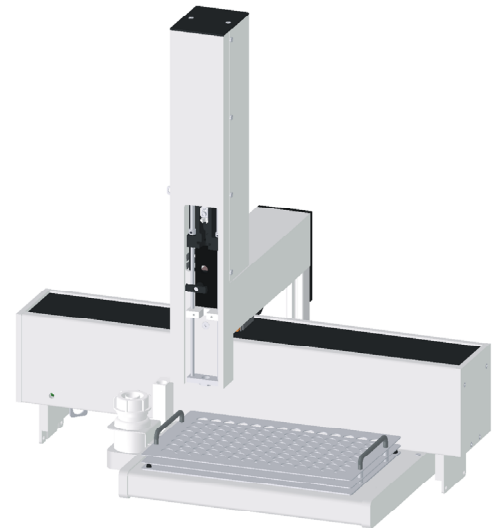
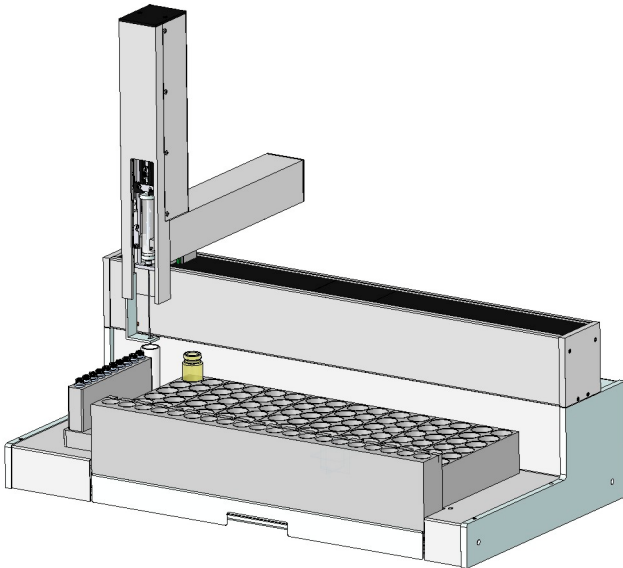
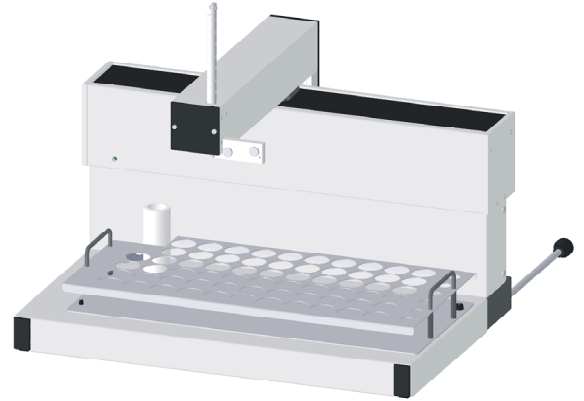
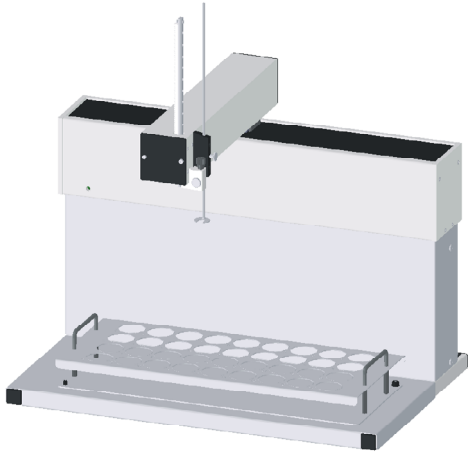
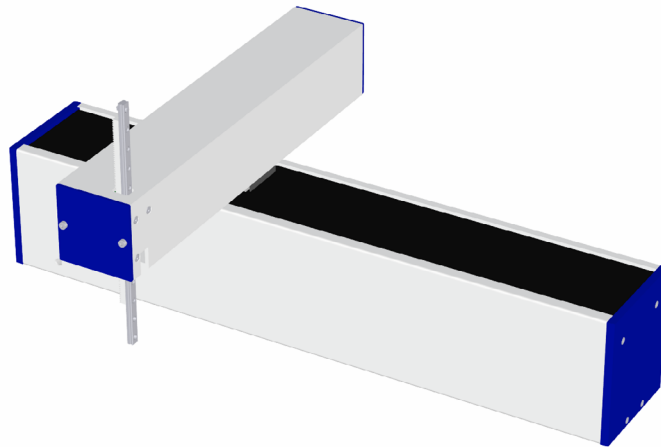


Product Line: Auto-Sampler for automation of laboratory analyses



- Customized design of a basic device in several variations
- Adaptation to the technical demands of the producers of analytical devices

The basic modul of all shown variations is this XYZ-drive:



The following possibilities are available:

- Position of cannulas, grapples, syringes or other parts for transport of liquid tests or solid samples in 3 directions (x, y, z)
- Powerful drives with stepping motors
- Precise ball-guides, which are resistant to stress
- High stepping resolution (mm):
main-axis: 0,25 arm-axis: 0,03 injector-axis: 0,15 syringe-axis: 0,15
- Adaptable guide length up to (mm):
main-axis: 340 arm-axis: 180 injector-axis: 165 syringe-axis: 70
- Communication with computer by RS232-interface
- Commands of communication are adaptable
- Possibility for connection of an external diluter
- Possibility for stirring the aktive sample position
- Possibility for adaption of several sample trays
- Operating voltage from 100 to 240 V AC or 24 V DC
- Adaptation to the technical demands of customer



Sonderanfertigungen fürs Labor
nach Ihren Wünschen